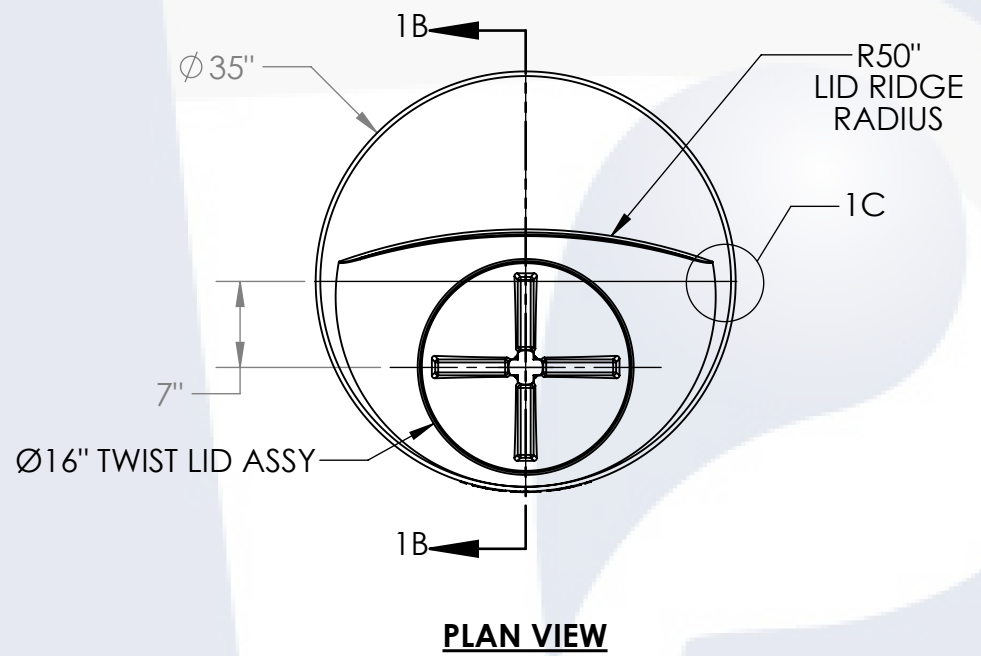
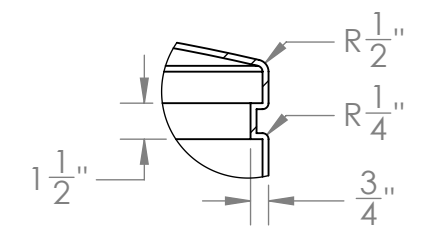


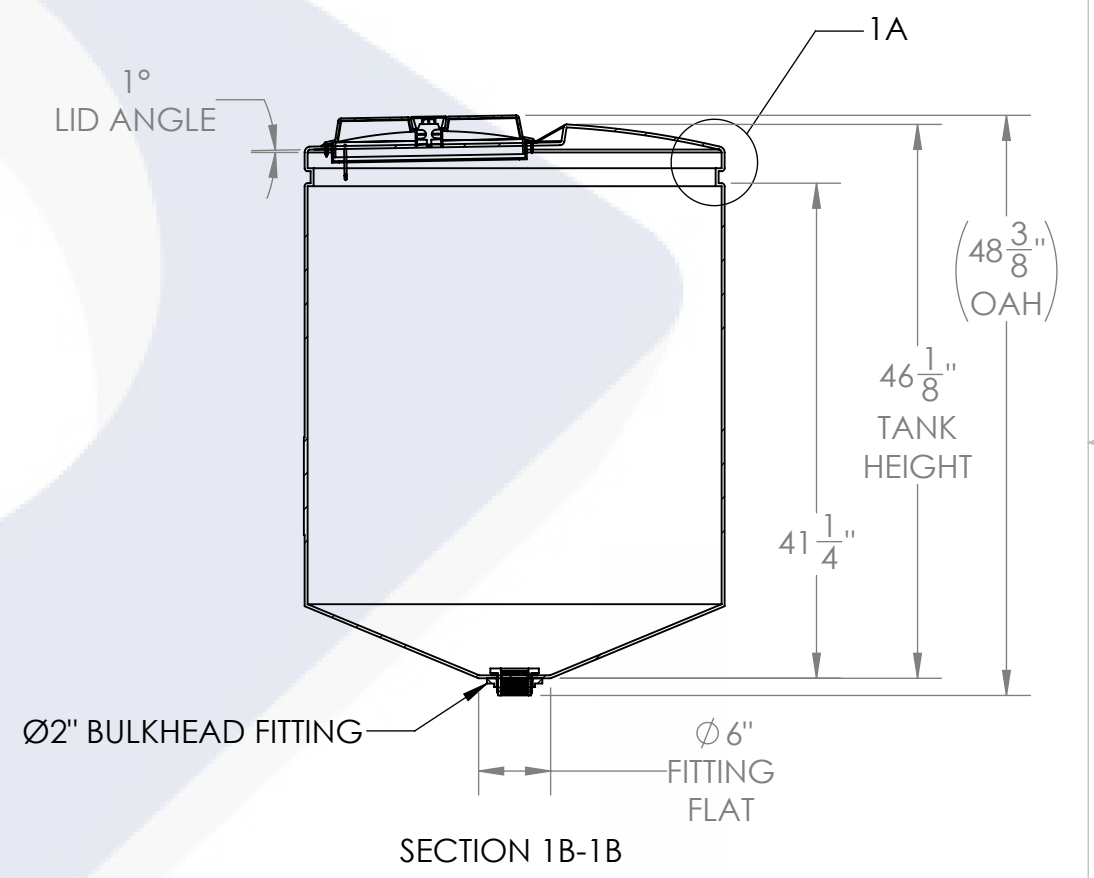
**ISOMETRIC VIEW  
(FRONT)**



**DETAIL 1C  
SCALE 1 : 8**



**DETAIL 1A  
SCALE 1 : 8**



- NOTES:**
1. CAPACITY: 150 GAL. NOMINAL
  2. TANK MATERIAL: MDPE
  3. SERVICE PRESSURE: ATMOSPHERIC
  4. NSF/ANSI STANDARD 61 CERTIFIED

**PROPRIETARY AND CONFIDENTIAL**  
THE INFORMATION CONTAINED IN THIS DRAWING IS THE SOLE PROPERTY OF PEABODY ENGINEERING. ANY REPRODUCTION IN PART OR AS A WHOLE WITHOUT THE WRITTEN PERMISSION OF PEABODY ENGINEERING IS PROHIBITED.

UNLESS OTHERWISE SPECIFIED:		NAME	DATE	
DIMENSIONS ARE IN INCHES TOLERANCES: ±1/4" ANGULAR: ± .5° ONE PLACE DECIMAL: ± .25 TWO PLACE DECIMAL: ± .125 THREE PLACE DECIMAL: ± .063		DRAWN	SMF 03/01/23	
TANK MATERIAL:		CHECKED		PROJECT: <b>PROCHEM® TANKS</b>
INNER TANK S/N:		ENG APPR.		CUSTOMER: <b>PEABODY STANDARD</b>
OUTER TANK S/N:		MFG APPR.		SITE/LOCATION: -
CUSTOMER PO#		Q.A.		SALES ORDER: -
DO NOT SCALE DRAWING				SIZE <b>B</b> DESC. <b>150GAL CONE BOTTOM TANK</b> REV. <b>B</b>
				SCALE: 1:16    SHEET 1 OF 1